

ALUMINUM ELECTROLYTIC CAPACITORS

LLR series **Lead Type For Power**
導針型 適用於電源

LLR 20φ

FEATURES

特性

Load Life: 85°C 2000~3000 Hours.

壽命: 85°C 2000~3000 小時

- Substitute of Snap-in.
自立型電容的替代品
- 20φ Radial lead type for Power Supply
電源供應器適用的 20φ 導針型電容

SPECIFICATIONS

Item 項目	Performance Characteristics 特性						
Operating Temperature Range 工作溫度範圍	-40°C ~ +85°C (200~250V), -25°C ~ +85°C (350~450V)						
Rated Voltage Range 額定電壓範圍	200~450V						
Capacitance Range 靜電容量範圍	150~680 μ F						
Capacitance Tolerance 靜電容量誤差	\pm 20% (20°C, 120Hz)						
Leakage Current 洩漏電流	$I \leq 0.02CV$ After 5 minutes with rated working voltage applied $I \leq 0.02CV$ (5 分鐘後) I =Leakage Current (μ A), C =Nominal Capacitance (μ F), V =Rated Voltage (V) I =洩漏電流 (μ A), C =額定容量 (μ F), V =額定電壓 (V)						
Dissipation Factor ($\tan \delta$) 散逸因素 (損失角正切值)	Rated voltage (V) 額定電壓	200	250	350	400	420~450	MAX (20°C, 120Hz)
	Tan δ 損失角正切值	0.15	0.15	0.15	0.15	0.20	
Low Temperature Stability Impedance Ratio (MAX) 低溫特性阻抗比率	Rated voltage 額定電壓 (V)	200	250	350~400	420~450	MAX	
	Z(-25°C)/Z(+20°C)	3	5	8	17	(120Hz)	
	Z(-40°C)/Z(+20°C)	4	8	---	---		

ALUMINUM ELECTROLYTIC CAPACITORS

Load Life 負荷壽命	After life test at conditions stated in the table below, the capacitors shall meet the following requirement 依據以下壽命要求印加額定紋波電流後，電容需符合以下要求。					
	Leakage Current 洩漏電流	not more than the specified value. 不超出規格值	Rated Voltage(V)	Life Time(hrs)		
	Capacitance Change 容量變化率	Within $\pm 20\%$ of initial value. 初始值 $\pm 20\%$ 以內			200V~250V	3000
	Dissipation Factor 散逸因素	Not more than 200% of the specified value. 不超出規格值的 2 倍			350V~450V	2000
Shelf Life 放置壽命	After leaving capacitors under no load at 85°C for 500 hours the capacitors shall meet the following requirements. 電容放置在 85°C 無印加電壓的情況下儲存 500 小時後，電容需符合以下要求。					
	Leakage Current 洩漏電流	not more than the specified value. 不超出規格值				
	Capacitance Change 容量變化率	Within $\pm 20\%$ of initial value. 初始值 $\pm 20\%$ 以內				
	Dissipation Factor 散逸因素	Not more than 200% of the specified value. 不超出規格值的 2 倍				
Standard 參照標準	According to JIS C -5101 依據 JIS C- 5101 標準					

Frequency coefficient

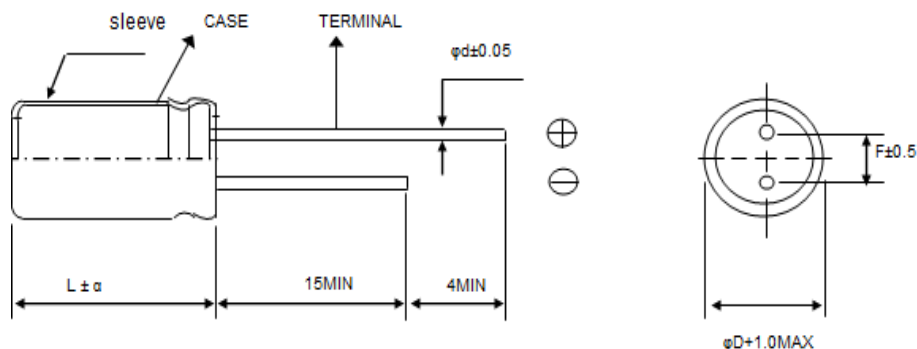
頻率系數

Frequency(Hz)	60(50)	120	1k	10k	$\geq 100k$
Coefficient	0.80	1.00	1.45	1.65	1.75

ALUMINUM ELECTROLYTIC CAPACITORS

LLR series

DIMENSIONS 尺寸(mm)



ϕD	20
ϕd	0.8
F	10
α	2

STANDARD SIZES AND RIPPLE CURRENT

尺寸, 紋波電流標準

SIZE $\phi D \times L$ (mm) Ripple Current (mA 85°C, 120Hz) r.m.s

W.V Cap (μF)	200		250		350		400		420		450	
	SIZE	Ripple Current (mA)	SIZE	Ripple Current (mA)	SIZE	Ripple Current (mA)	SIZE	Ripple Current (mA)	SIZE	Ripple Current (mA)	SIZE	Ripple Current (mA)
150					20x31.5	680	20x31.5	660			20x36.5	670
220			20x31.5	800	20x41.5	850	20x41.5	760	20x50	820	20x46.5	800
270			20x31.5	850	20x46.5	890	20x48	780				
330	20x31.5	950	20x36.5	1000								
390	20x31.5	1100	20x36.5	1120								
470	20x31.5	1250	20x45	1350								
560	20x41.5	1320	20x48	1450								
680	20x46.5	1450										